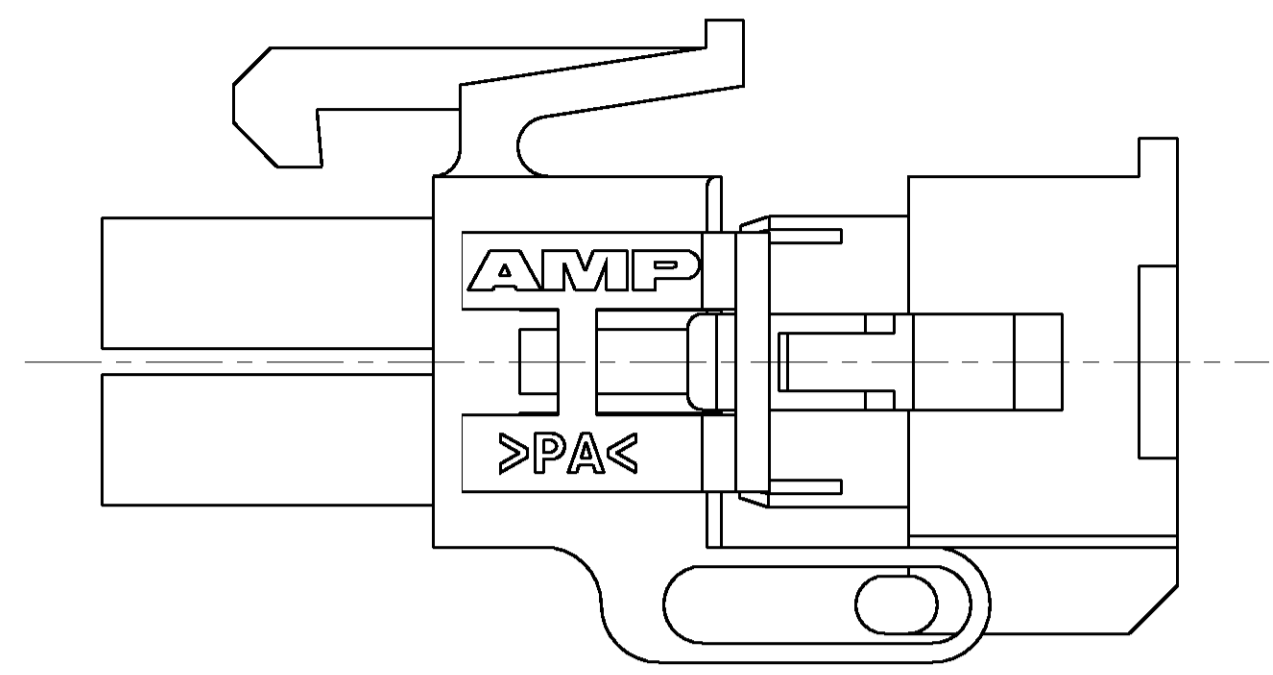
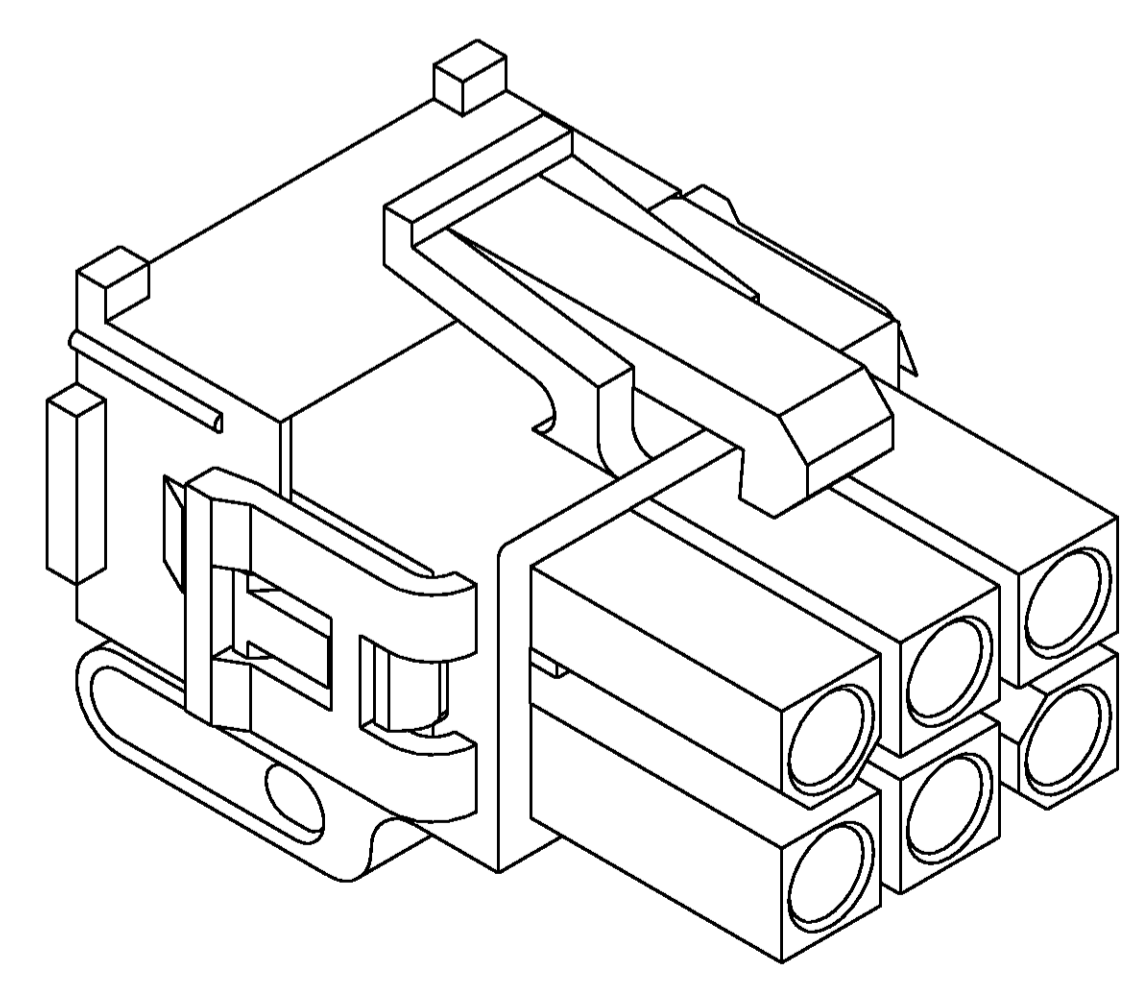
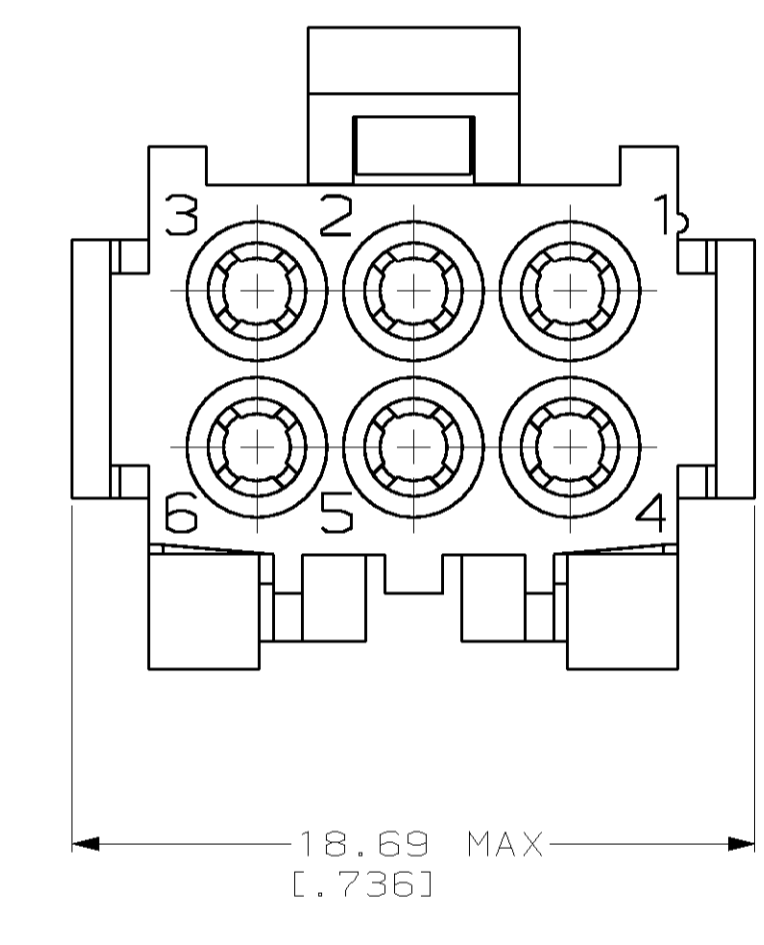
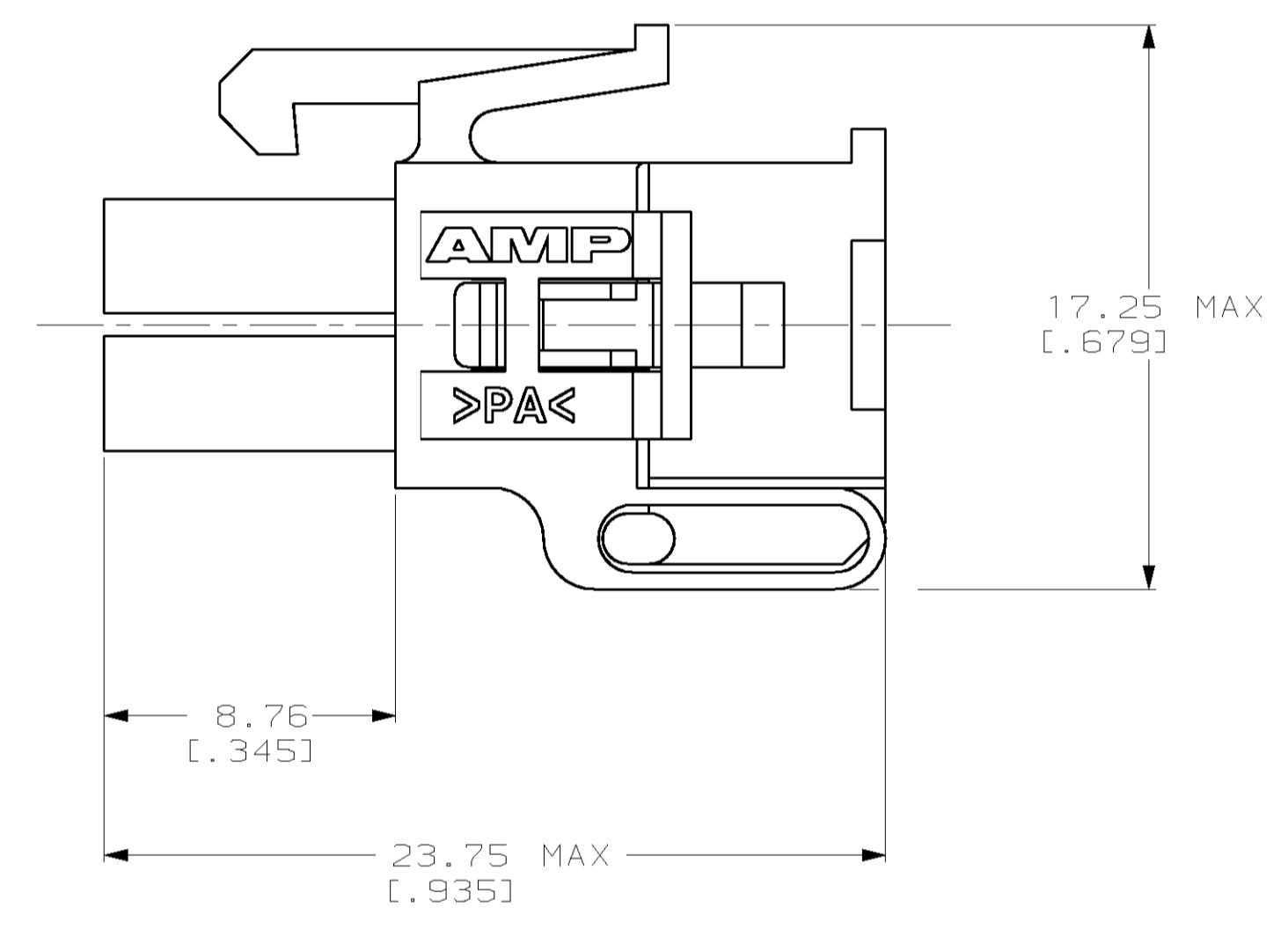
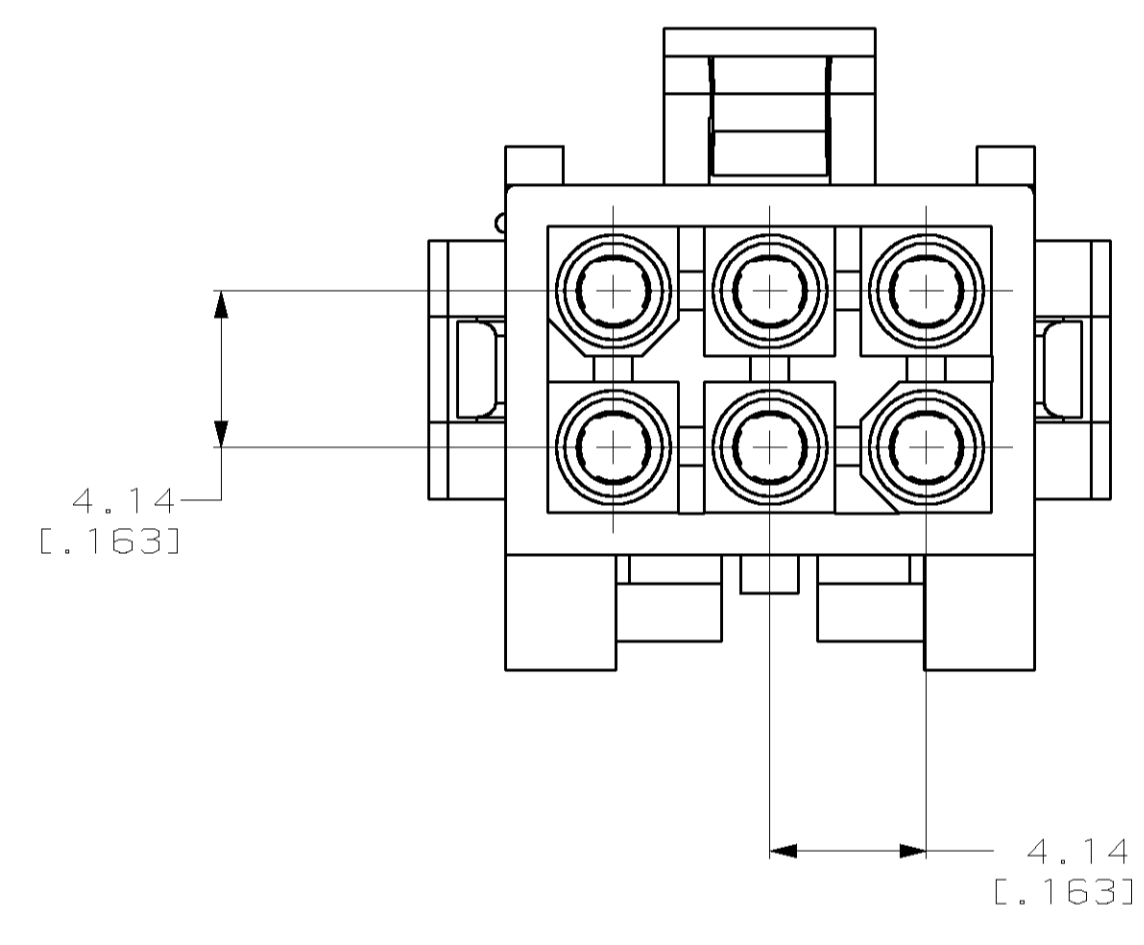


| LOC | | DIST | | REVISIONS | | | |
|-----|-----|-----------|----|-----------|------|-------------------------|--|
| F | CHR | DATE | BY | CHK | APVD | DESCRIPTION | |
| B | | 23-SEP-99 | KW | EC | KC | REV PER EC 061B-0094-99 | |



PRE-STAGED CONDITION

1. DIMENSIONS IN BRACKETS ARE IN INCHES.



3-DIMENSIONAL MODEL
NTS

794190-1
PART NUMBER



| | | | | |
|--|--|--------------------|---------|---|
| THIS DRAWING IS A CONTROLLED DOCUMENT. | | DWN K. WHITAKER | 5-12-97 | AMP AMP Incorporated Harrisburg, PA 17105-3608 |
| | | CHK R. SWING | 5-12-97 | |
| DIMENSIONS: | | APVD S. ORSTAD | 5-12-97 | NAME PLUG, 6 CIRCUIT, MINI UNIVERSAL MATE-N-LOK™ 2 |
| TOLERANCES UNLESS OTHERWISE SPECIFIED: | | PRODUCT SPEC | | APPLICATION SPEC |
| mm | | 0 PLC ± | | SIZE |
| | | 1 PLC ± | | CAGE CODE |
| | | 2 PLC ± | | DRAWING NO |
| | | 3 PLC ± | | RESTRICTED TO |
| | | 4 PLC ±0.13 (.005) | | A1 00779 |
| | | ANGLES ± | | C-794190 |
| FINISH | | WEIGHT | | |
| NYLON, UL 94V-0, NATURAL | | CUSTOMER DRAWING | | SCALE 5:1 |